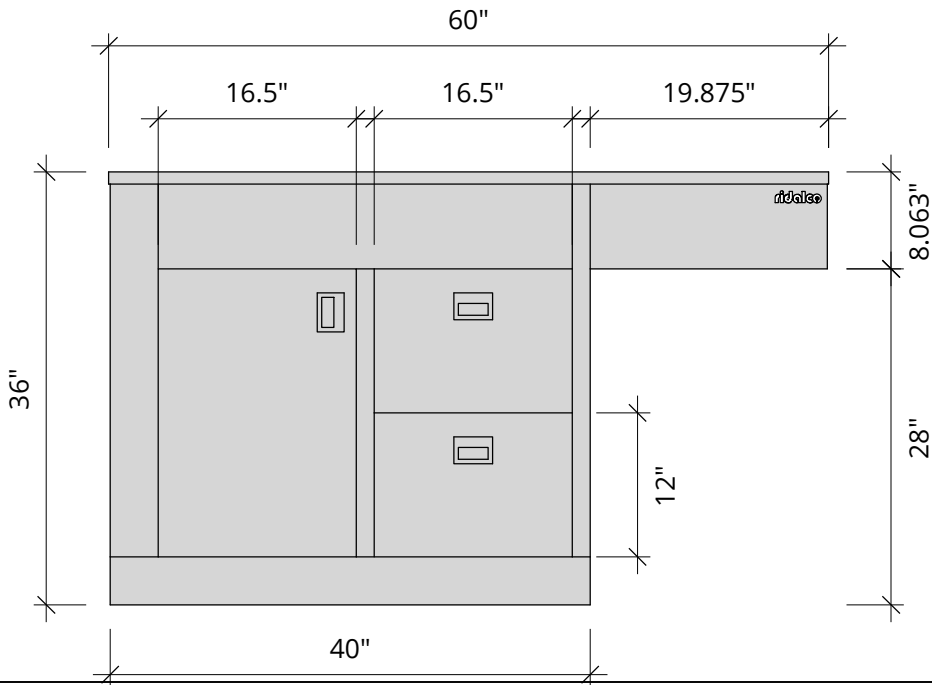
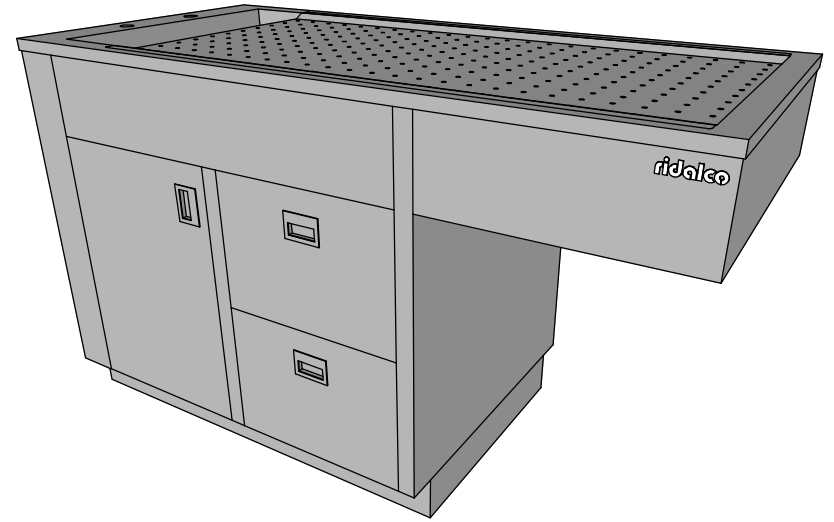
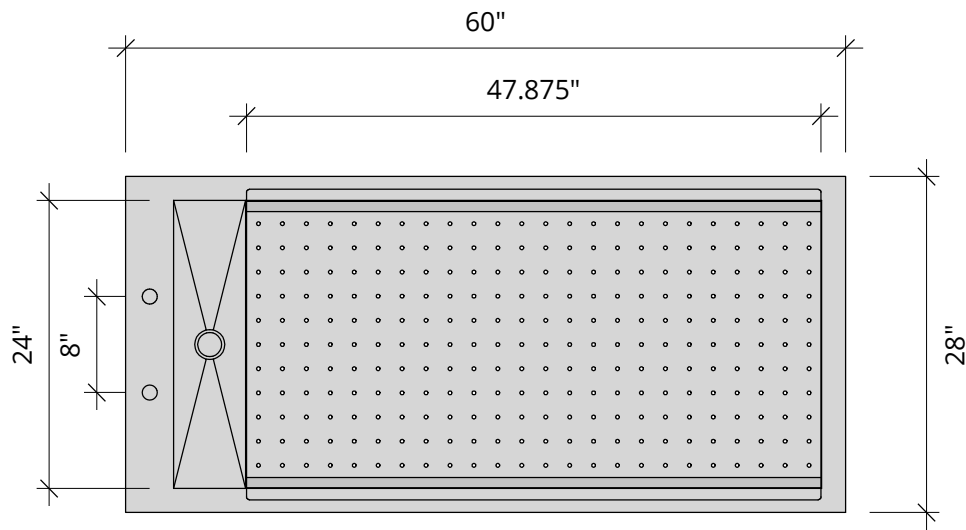
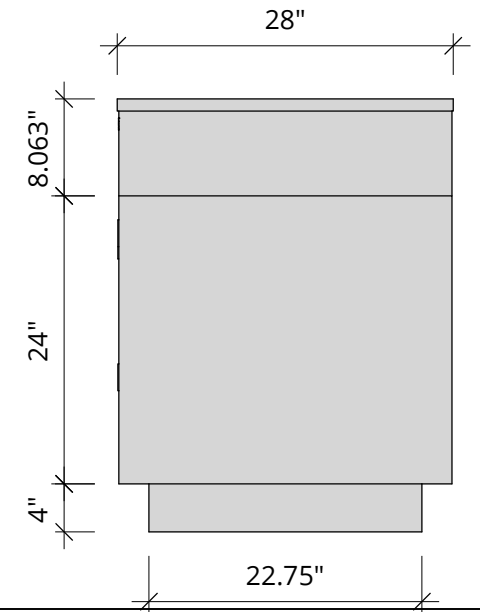
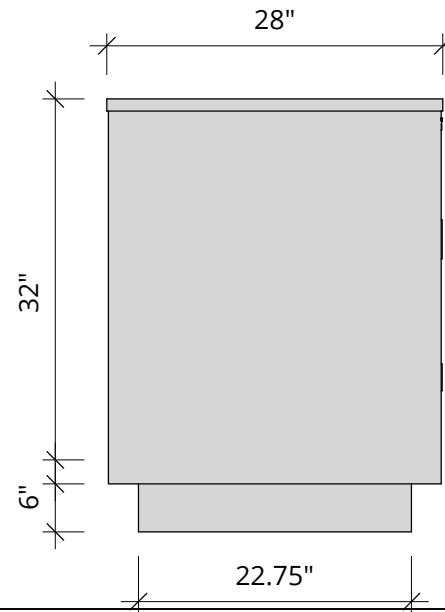


Material: Type 304 #4 stainless steel



LEFT SIDE VIEW

RIGHT SIDE VIEW



RIDALCO INDUSTRIES INC.
340 Corduroy Rd. Vars, ON K0A 3H0
t: (613) 745-9161 | f: (613) 745-6452
info@ridalco.com | www.ridalco.com

Customer		REVISIONS		
Job No.	Item No.	MM/DD/YY	REMARKS	
Item Desc.	RWP-6028-DDR2 Wet Prep Veterinary Table	1	---	---
		2	---	---
		3	---	---
		4	---	---
		5	---	---
Job Name/Tag				

Date
Mar 03
2022